

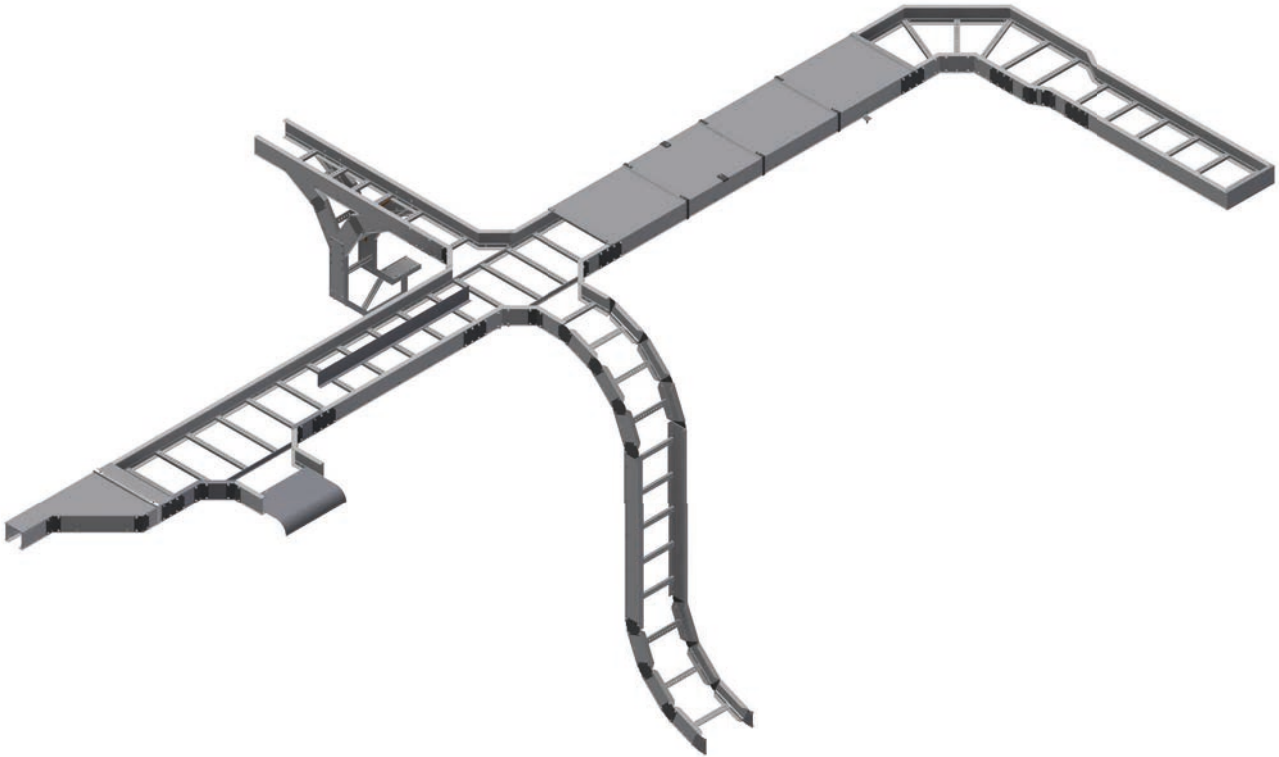
# FOE Cable Ladder System

Oglaend System corrosion resistant fibre reinforced plastic (FRP) Cable Ladders are designed to deliver weight reductions while maintaining strength and maximizing loading capability. The design delivers HSE improvements when lifting and fitting Ladder and Support equipment. Cable Ladders are available in five different resin materials, each formulated to satisfy special project requirements.

## AVAILABLE MATERIALS



Article numbers are for standard FRP polyester resin. For alternative resin types, prefix the article number with the resin code. For more information on resin systems, please see the materials section or refer to our website.



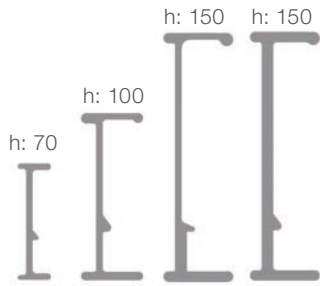
## CABLE LADDER DATA

LADDER SYSTEMS	Rail Height (mm)	Loading Depth (D mm)	Load 1.5 m support spacing (kg/m)	Load 2 m support spacing (kg/m)	Load 3 m support spacing (kg/m)	Load 4.5 m support spacing (kg/m)	Load 6 m support spacing (kg/m)	Available lengths (m)	Wall thickness FRP (mm)
FOE70	70	46	130	105	50	n/a	n/a	3/6	4
FOE100	100	71	n/a	n/a	172	118	n/a	3/6	4
FOE150	150	121	n/a	n/a	267	190	n/a	3/6	7
FOE150 GA	150	121	n/a	n/a	287	234	140	3/6	4 <sup>1/7</sup> <sup>2</sup>

## LADDER DESIGN

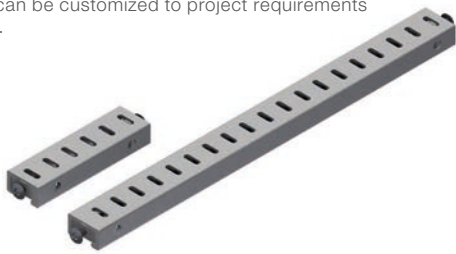
### Different heights (mm):

Different ladder heights to give more choice for loading space availability. Designed with unique I-beam for superior loading capacity.

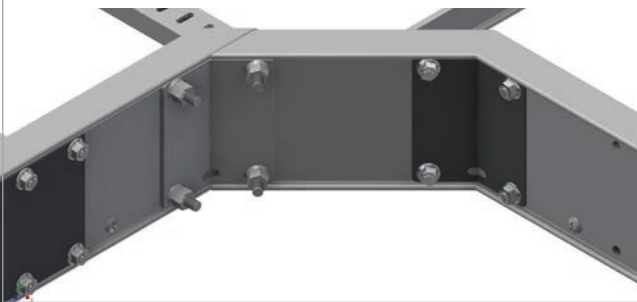


### Customisable Rung Width (mm):

Standard widths range from 150-900 mm. Rung widths and rung spacing can be customized to project requirements on application.

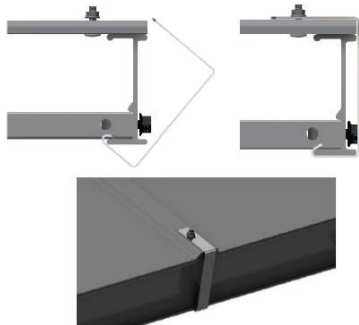


### Fitting accessories available in FRP and SS

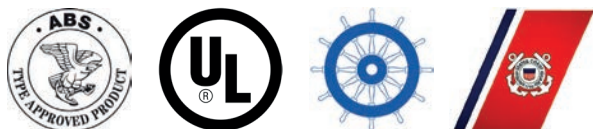


### Heavy Duty Cover Fixing Clamps

Available in FRP and SS materials.



## CERTIFICATES



# Contents

## FOE Composite Cable Ladder System

### FOE70 Cable Ladder System

108	FOE-70 Cable Ladder System
108	FOE-70 Fittings
111	FOE-70 Fixings

### FOE100 Cable Ladder System

113	FOE-100 Cable Ladder System
113	FOE-100 Fittings
117	FOE-100 Fixings

### FOE150 Cable Ladder System

119	FOE-150 Cable Ladder System
119	FOE-150 Fittings
124	FOE-150 Fixings

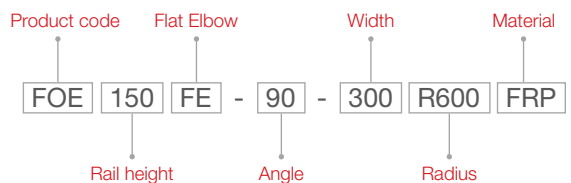
### FOE Accessories

125	FOE Accessories
-----	-----------------



### Intellectual Property Rights

Please note that several of the products presented in this catalogue are protected by our intellectual property rights in the form of patents, registered designs and trademarks, and that we have made the strategic decision to police and enforce these rights in all relevant jurisdictions.



FE = Flat Elbow, TE = Tee-Piece, CP = Cross-Piece, CO = Cover

# FOE-70 Cable Ladder System

## FOE-70 Straight Cable Ladder

Composite Cable Ladder with 70 mm rail height certified to class 8A according to Nema VE1 standard. 3 m length.

Type Description	FRP	FRP (kg)
FOE-70 CL-150-3000	73700	5.7
FOE-70 CL-200-3000	70300	5.9
FOE-70 CL-300-3000	73701	6.3
FOE-70 CL-400-3000	70301	6.7
FOE-70 CL-450-3000	73702	6.8
FOE-70 CL-500-3000	70302	6.9
FOE-70 CL-600-3000	73703	7.3



## FOE-70 Fittings

### 90° Flat Elbows

Compact design Flat Elbow in radius 300 mm.

Type Description	FRP	FRP (kg)
FOE-70 FE-90-150-R300	73706	2.2
FOE-70 FE-90-200-R300	70303	2.3
FOE-70 FE-90-300-R300	73307	2.5
FOE-70 FE-90-400-R300	70304	3.2
FOE-70 FE-90-450-R300	73708	3.3
FOE-70 FE-90-500-R300	73707	3.5
FOE-70 FE-90-600-R300	73709	3.8



### 45° Flat Elbows

Compact design Flat Elbow in radius 300 mm.

Type Description	FRP	FRP (kg)
FOE-70 FE-45-150 R300	73712	1.4
FOE-70 FE-45-200 R300	70305	1.4
FOE-70 FE-45-300 R300	73713	1.6
FOE-70 FE-45-400 R300	70306	1.7
FOE-70 FE-45-450 R300	73714	2.0
FOE-70 FE-45-500 R300	70307	2.1
FOE-70 FE-45-600 R300	73715	2.3



## Tee-Piece

Compact design Tee-Piece in radius 300 mm.

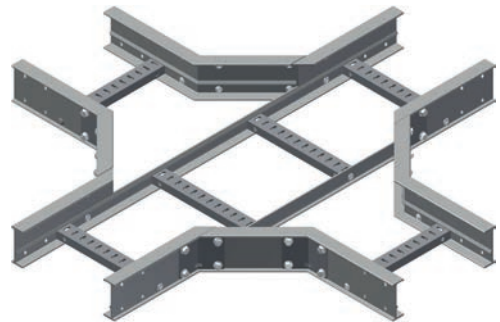
Type Description	FRP	FRP (kg)
FOE-70 TE-150/150 R300	73718	3.2
FOE-70 TE-200/200 R300	70308	3.3
FOE-70 TE-300/300 R300	73719	3.6
FOE-70 TE-400/400 R300	70309	4.1
FOE-70 TE-450/450 R300	73720	4.3
FOE-70 TE-500/500 R300	70310	4.4
FOE-70 TE-600/600 R300	73721	4.8



## Cross-Piece

Compact design Cross-Piece in radius 300 mm.

Type Description	FRP	FRP (kg)
FOE-70 CR-150/150 R300	73724	4.3
FOE-70 CR-200/200 R300	70311	4.5
FOE-70 CR-300/300 R300	73725	4.8
FOE-70 CR-400/400 R300	70312	5.3
FOE-70 CR-450/450 R300	73726	5.4
FOE-70 CR-500/500 R300	70313	5.6
FOE-70 CR-600/600 R300	73727	5.9



## Flexi Riser Part

Flexi Riser Link which can be combined with Angle Plates and additional Riser Links to create required configurations.

Type Description	FRP	FRP (kg)
FOE-70 RI-PA-150	73741	0.6
FOE-70 RI-PA-200	70403	0.6
FOE-70 RI-PA-300	73742	0.6
FOE-70 RI-PA-400	70404	0.7
FOE-70 RI-PA-450	73743	0.7
FOE-70 RI-PA-500	70405	0.7
FOE-70 RI-PA-600	73744	0.7



## Inside Fixed Riser 90°. Radius 400 mm

Fixed angle Inside Riser piece. Compact design. Preassembled in composite system.

Type Description	FRP	FRP (kg)
FOE-70 RI-IN-90-150 R400	73747	0.9
FOE-70 RI-IN-90-200 R400	70415	0.9
FOE-70 RI-IN-90-300 R400	73748	1.0
FOE-70 RI-IN-90-400 R400	70416	1.0
FOE-70 RI-IN-90-450 R400	73749	1.0
FOE-70 RI-IN-90-500 R400	70417	1.0
FOE-70 RI-IN-90-600 R400	73750	1.1



8 Locking Bolt set(s) M10x16 included.

## Inside Fixed Riser 90°. Radius 600 mm

Fixed angle Inside Riser piece. Compact design. Preassembled in composite system.

Type Description	FRP	FRP (kg)
FOE-70 RI-IN-90-150 R600	73753	1.6
FOE-70 RI-IN-90-200 R600	70418	1.7
FOE-70 RI-IN-90-300 R600	73754	1.8
FOE-70 RI-IN-90-400 R600	70419	1.8
FOE-70 RI-IN-90-450 R600	73755	1.9
FOE-70 RI-IN-90-500 R600	70420	1.9
FOE-70 RI-IN-90-600 R600	73756	2.0

8 Locking Bolt set(s) M10x16 included.



## Inside Fixed Riser 90°. Radius 800 mm

Fixed angle Inside Riser piece. Compact design. Preassembled in composite system.

Type Description	FRP	FRP (kg)
FOE-70 RI-IN-90-150 R800	73759	2.4
FOE-70 RI-IN-90-200 R800	70421	2.4
FOE-70 RI-IN-90-300 R800	73760	2.5
FOE-70 RI-IN-90-450 R800	70422	2.6
FOE-70 RI-IN-90-600 R800	73761	2.7
FOE-70 RI-IN-90-750 R800	70423	2.7
FOE-70 RI-IN-90-900 R800	73762	2.8

8 Locking Bolt set(s) M10x16 included.



## Outside Fixed Riser 90°. Radius 400 mm

Fixed angle Outside Riser. Compact design. Preassembled in composite system.

Type Description	FRP	FRP (kg)
FOE-70 RI-OU-90-150 R400	73765	0.9
FOE-70 RI-OU-90-200 R400	70424	0.9
FOE-70 RI-OU-90-300 R400	73766	1.0
FOE-70 RI-OU-90-400 R400	70425	1.0
FOE-70 RI-OU-90-450 R400	73767	1.0
FOE-70 RI-OU-90-500 R400	70426	1.0
FOE-70 RI-OU-90-600 R400	73768	1.1

8 Locking Bolt set(s) M10x16 included.



## Outside Fixed Riser 90°. Radius 600 mm

Fixed angle Outside Riser. Compact design. Preassembled in composite system.

Type Description	FRP	FRP (kg)
FOE-70 RI-OU-90-150 R600	73771	1.6
FOE-70 RI-OU-90-200 R600	70427	1.7
FOE-70 RI-OU-90-300 R600	73772	1.8
FOE-70 RI-OU-90-400 R600	70428	1.8
FOE-70 RI-OU-90-450 R600	73773	1.9
FOE-70 RI-OU-90-500 R600	70429	1.9
FOE-70 RI-OU-90-600 R600	73774	2.0

8 Locking Bolt set(s) M10x16 included.



## Outside Fixed Riser 90°. Radius 800 mm

Fixed angle Outside Riser. Compact design. Preassembled in composite system.

Type Description	FRP	FRP (kg)
FOE-70 RI-OU-90-150 R800	73777	2.4
FOE-70 RI-OU-90-200 R800	70430	2.4
FOE-70 RI-OU-90-300 R800	73778	2.5
FOE-70 RI-OU-90-450 R800	70431	2.6
FOE-70 RI-OU-90-600 R800	73779	2.7
FOE-70 RI-OU-90-750 R800	70432	2.7
FOE-70 RI-OU-90-900 R800	73780	2.8

8 Locking Bolt set(s) M10x16 included.



## FOE-70 Fixings

### Splice Connector

Splice Connector for connecting Cable Ladders and Fittings.

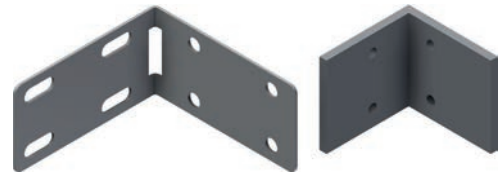
Type Description	Fasteners included	SS	SS (kg)	FRP
FOE-70 SC	4xM6	70397	0.2	70396



### Splice Angle Horizontal

Horizontal 90° Splice for FOE Cable Ladders. Note that the SS type is supplied as a flat plate which may be bent to any angle.

Type Description	Fasteners included	SS	SS (kg)	FRP
FOE-70 SA-HO	4xM6	70399	0.3	70398



### Hinge Vertical

Vertical Hinge for FOE Cable Ladders in two types. The heavy duty SS version can be locked in place in increments of 4°.

Type Description	Fasteners included	SS	SS (kg)	FRP
FOE-70 SV-HD	4(2) xM6	74863	0.3	70402



### Reducer Part

Part for increasing or reducing Cable Ladder width in set increments. Universal design which can be used for left or right side independently, or both sides together.

Type Description	FRP	FRP (kg)
FOE-70 RP-150	73730	0.3
FOE-70 RP-200	70326	0.4
FOE-70 RP-300	73731	0.4
FOE-70 RP-450	73732	0.6
FOE-70 RP-500	73733	0.6

2 Locking Bolt set(s) M6x16 included.

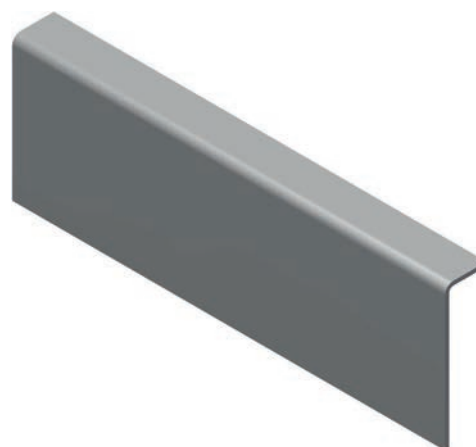


## End Cover

End Cover to close the end of the Cable Ladder. Provides a tidy finish.

Type Description	FRP	FRP (kg)
FOE-70 EC-150	73735	0.09
FOE-70 EC-200	70393	0.1
FOE-70 EC-300	73736	0.2
FOE-70 EC-400	70394	0.2
FOE-70 EC-450	73737	0.3
FOE-70 EC-500	70395	0.3
FOE-70 EC-600	73738	0.3

*2 M8x13 Self Tapping Screw(s) included.*



## Dividers

Divider for separation and segregation of different systems.

Type Description	Fasteners included	FRP	FRP (kg)
FOE-70 DI	4xM6	73783	2.4



# FOE-100 Cable Ladder System

## FOE-100 Cable Ladder

Composite Cable Ladder with 100 mm rail height certified to class 12C according to Nema VE1 standard.



### FOE-100 Cable Ladder in 3 m length

Type Description	FRP	FRP (kg)
FOE-100 CL-150-3000	74429	10.1
FOE-100 CL-300-3000	74430	11.2
FOE-100 CL-450-3000	74431	12.1
FOE-100 CL-600-3000	74432	13.3
FOE-100 CL-750-3000	74433	14.4
FOE-100 CL-900-3000	74434	15.2

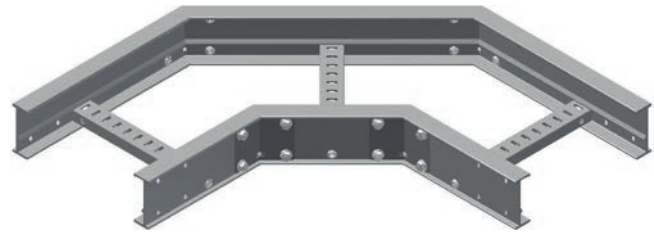
### FOE-100 Cable Ladder in 6 m length

Type Description	FRP	FRP (kg)
FOE-100 CL-150-6000	74746	20.1
FOE-100 CL-300-6000	74747	22.3
FOE-100 CL-450-6000	74748	24.2
FOE-100 CL-600-6000	74749	26.7
FOE-100 CL-750-6000	74750	28.9
FOE-100 CL-900-6000	74751	30.5

## FOE-100 Fittings

### 90° Flat Elbows

Compact design Flat Elbow in full composite system.



### Radius 300 mm

Type Description	FRP	FRP (kg)
FOE-100 FE-90-150-R300	74606	4.0
FOE-100 FE-90-300-R300	74607	4.7
FOE-100 FE-90-450-R300	74608	6.1
FOE-100 FE-90-600-R300	74609	7.1
FOE-100 FE-90-750-R300	74610	8.0
FOE-100 FE-90-900-R300	74611	8.8

### Radius 600 mm

Type Description	FRP	FRP (kg)
FOE-100 FE-90-150 R600	73106	9.0
FOE-100 FE-90-300 R600	73107	10.2
FOE-100 FE-90-450 R600	73108	11.6
FOE-100 FE-90-600 R600	73109	12.9
FOE-100 FE-90-750 R600	73110	14.5
FOE-100 FE-90-900 R600	73111	17.1



## 45° Flat Elbows

Compact design Flat Elbow in full composite system.



### Radius 300 mm

Type Description	FRP	FRP (kg)
FOE-100 FE-45-150 R300	74624	2.5
FOE-100 FE-45-300 R300	74625	2.9
FOE-100 FE-45-450 R300	74626	3.6
FOE-100 FE-45-600 R300	74627	4.2
FOE-100 FE-45-750 R300	74628	4.8
FOE-100 FE-45-900 R300	74629	5.3

### Radius 600 mm

Type Description	FRP	FRP (kg)
FOE-150 FE-90-150 R6	73112	9.0
FOE-150 FE-90-300 R6	73113	10.2
FOE-150 FE-90-450 R6	73114	11.6
FOE-150 FE-90-600 R6	73115	12.9
FOE-150 FE-90-750 R6	73116	14.5
FOE-150 FE-90-900 R6	73117	17.1

## Tee-Piece

Compact design Tee-Piece Fitting in full composite system.



### Radius 300 mm

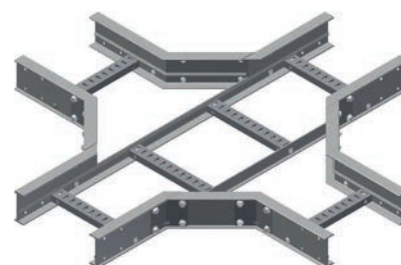
Type Description	FRP	FRP (kg)
FOE-100 TE-150/150 R300	74506	5.8
FOE-100 TE-300/300 R300	74507	6.6
FOE-100 TE-450/450 R300	74508	7.8
FOE-100 TE-600/600 R300	74509	8.9
FOE-100 TE-750/750 R300	74510	10.4
FOE-100 TE-900/900 R300	74511	11.3

### Radius 600 mm

Type Description	FRP	FRP (kg)
FOE-100 TE-150/150 R600	73142	8.8
FOE-100 TE-300/300 R600	73143	10.0
FOE-100 TE-450/450 R600	73144	11.5
FOE-100 TE-600/600 R600	73145	12.9
FOE-100 TE-750/750 R600	73146	14.8
FOE-100 TE-900/900 R600	73147	15.9

## Cross-Piece

Compact design Cross-Piece Fitting in full composite system.



### Radius 300 mm

Type Description	FRP	FRP (kg)
FOE-100 CR-150/150 R300	70314	7.9
FOE-100 CR-300/300 R300	70315	8.8
FOE-100 CR-450/450 R300	70316	9.9
FOE-100 CR-600/600 R300	70317	11.1
FOE-100 CR-750/750 R300	70318	12.6
FOE-100 CR-900/900 R300	70319	13.4

### Radius 600 mm

Type Description	FRP	FRP (kg)
FOE-100 CR-150/150 R600	71784	11.8
FOE-100 CR-300/300 R600	71785	13.3
FOE-100 CR-450/450 R600	71786	14.6
FOE-100 CR-600/600 R600	71787	16.2
FOE-100 CR-750/750 R600	71788	18.2
FOE-100 CR-900/900 R600	71789	19.7

## Flexi Riser Part

Flexi Riser Link which can be combined with Angle Plates and additional Riser Links to create required configurations.

Type Description	FRP	FRP (kg)
FOE-100 RI-PA-150	74160	1.0
FOE-100 RI-PA-300	74161	1.1
FOE-100 RI-PA-450	74162	1.2
FOE-100 RI-PA-600	74163	1.3
FOE-100 RI-PA-750	74164	1.4
FOE-100 RI-PA-900	74165	1.5



## Inside Fixed Riser 90°. Radius 400 mm

Fixed angle Inside Riser piece. Compact design. Preassembled in composite system.

Type Description	FRP	FRP (kg)
FOE-100 RI-IN-90-150 R400	74236	2.0
FOE-100 RI-IN-90-300 R400	74237	2.1
FOE-100 RI-IN-90-450 R400	74238	2.2
FOE-100 RI-IN-90-600 R400	74239	2.3
FOE-100 RI-IN-90-750 R400	74240	2.4
FOE-100 RI-IN-90-900 R400	74241	2.5

8 Locking Bolt set(s) M10x20 included.



## Inside Fixed Riser 90°. Radius 600 mm

Fixed angle Inside Riser piece. Compact design. Preassembled in composite system.

Type Description	FRP	FRP (kg)
FOE-100 RI-IN-90-150 R600	74242	3.4
FOE-100 RI-IN-90-300 R600	74243	3.6
FOE-100 RI-IN-90-450 R600	74244	3.8
FOE-100 RI-IN-90-600 R600	74245	4.0
FOE-100 RI-IN-90-750 R600	74246	4.3
FOE-100 RI-IN-90-900 R600	74247	4.4

8 Locking Bolt set(s) M10x20 included.



## Inside Fixed Riser 90°. Radius 800 mm

Fixed angle Inside Riser piece. Compact design. Preassembled in composite system.

Type Description	FRP	FRP (kg)
FOE-100 RI-IN-90-150 R800	74248	4.8
FOE-100 RI-IN-90-300 R800	74249	5.1
FOE-100 RI-IN-90-450 R800	74250	5.4
FOE-100 RI-IN-90-600 R800	74251	5.8
FOE-100 RI-IN-90-750 R800	74252	6.1
FOE-100 RI-IN-90-900 R800	74253	6.3

8 Locking Bolt set(s) M10x20 included.



## Outside Fixed Riser 90°. Radius 400 mm

Fixed angle Outside Riser piece. Compact design. Preassembled in composite system.

Type Description	FRP	FRP (kg)
FOE-100 RI-OU-90-150 R400	74254	2.0
FOE-100 RI-OU-90-300 R400	74255	2.1
FOE-100 RI-OU-90-450 R400	74256	2.2
FOE-100 RI-OU-90-600 R400	74257	2.3
FOE-100 RI-OU-90-750 R400	74258	2.4
FOE-100 RI-OU-90-900 R400	74259	2.5

8 Locking Bolt set(s) M10x20 included.



## Outside Fixed Riser 90°. Radius 600 mm

Fixed angle Outside Riser piece. Compact design. Preassembled in composite system.

Type Description	FRP	FRP (kg)
FOE-100 RI-OU-90-150 R600	74260	3.4
FOE-100 RI-OU-90-300 R600	74261	3.6
FOE-100 RI-OU-90-450 R600	74262	3.8
FOE-100 RI-OU-90-600 R600	74263	4.0
FOE-100 RI-OU-90-750 R600	74264	4.3
FOE-100 RI-OU-90-900 R600	74265	4.4

8 Locking Bolt set(s) M10x20 included.



## Outside Fixed Riser 90°. Radius 800 mm

Fixed angle Outside Riser piece. Compact design. Preassembled in composite system.

Type Description	FRP	FRP (kg)
FOE-100 RI-OU-90-150 R800	74266	4.8
FOE-100 RI-OU-90-300 R800	74267	5.1
FOE-100 RI-OU-90-450 R800	74268	5.4
FOE-100 RI-OU-90-600 R800	74269	5.8
FOE-100 RI-OU-90-750 R800	74270	6.1
FOE-100 RI-OU-90-900 R800	74271	6.3

8 Locking Bolt set(s) M10x20 included.

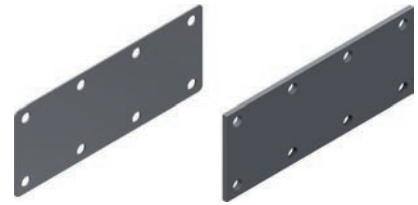


# FOE-100 Fixings

## Splice Connector

Splice Connector for connecting Cable Ladders and Fittings.

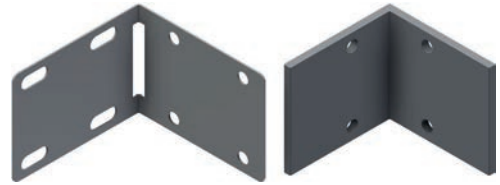
Type Description	Fasteners included	SS	SS (kg)	FRP
FOE-100 SC	4xM10	74858	0.3	75051



## Splice Angle Horizontal

Horizontal 90° splice for FOE Cable Ladders. Note that the SS type is supplied as flat plate which may be bent to any angle.

Type Description	Fasteners included	SS	SS (kg)	FRP
FOE-100 SA-HO	4xM10	74861	0.3	70400



## Hinge Vertical

Vertical Hinge for FOE Cable Ladders in two types. The heavy duty SS version can be locked in place in increments of 4°.

Type Description	Fasteners included	SS	SS (kg)	FRP
FOE-100 SV-HD	4xM10	74864	0.4	75036



## Splice Angle Plate 22.5°

Vertical Splice Plates can be used to quickly construct risers at various angles.

Type Description	Fasteners included	FRP	FRP (kg)
FOE-100 SA-VE-22.5	4xM10	70413	0.3



## Splice Angle Plate 30°

Vertical Splice Plates can be used to quickly construct risers at various angles.

Type Description	Fasteners included	FRP	FRP (kg)
FOE-100 SA-VE-30	4xM10	70410	0.3



## Splice Angle Plate 45°

Vertical Splice Plates can be used to quickly construct risers at various angles.

Type Description	Fasteners included	FRP	FRP (kg)
FOE-100 SA-VE-45	4xM10	70407	0.3



## Reducer Part

Part for increasing or reducing Cable Ladder width in set increments. Universal design which can be used for left or right side independantly, or both sides together.

Type Description	FRP	FRP (kg)
FOE-100 RP-150	70275	0.7
FOE-100 RP-300	70276	0.9
FOE-100 RP-450	70277	1.1
FOE-100 RP-600	70278	1.3
FOE-100 RP-750	70279	1.6

4 Locking Bolt set(s) M10x20 included.

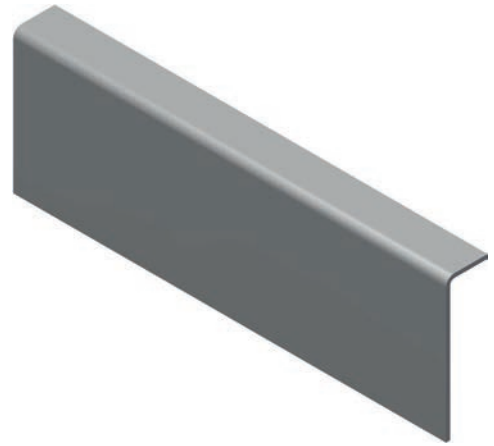


## End Cover

End Cover to close the end of the Cable Ladder. Provides a tidy finish.

Type Description	FRP	FRP (kg)
FOE-100 EC-150	74701	0.1
FOE-100 EC-300	74702	0.2
FOE-100 EC-450	74703	0.3
FOE-100 EC-600	74704	0.5
FOE-100 EC-750	74705	0.6
FOE-100 EC-900	74706	0.7

2 M8x13 Self Tapping Screw(s) included.



## Dividers

Divider for separation and segregation of different systems.

Type Description	Fasteners included	FRP	FRP (kg)
FOE 100 FTE-80 DI	4xM6	74541	1.5



# FOE-150 Cable Ladder System

## FOE-150 Cable Ladder

Composite cable ladder with 150 mm rail height certified for NEMA 20C loading.



### FOE-150 Cable Ladder in 3 m length

Type Description	FRP	FRP (kg)
FOE-150 CL-150-3000	74437	18.7
FOE-150 CL-200-3000	71427	19.1
FOE-150 CL-300-3000	74438	20.0
FOE-150 CL-450-3000	74439	21.1
FOE-150 CL-600-3000	74440	22.0
FOE-150 CL-750-3000	74441	23.1
FOE-150 CL-900-3000	74442	23.9

### FOE-150 Cable Ladder in 6 m length

Type Description	FRP	FRP (kg)
FOE-150 CL-150-6000	74752	37.5
FOE-150 CL-300-6000	74753	39.7
FOE-150 CL-450-6000	74754	41.6
FOE-150 CL-600-6000	74755	44.1
FOE-150 CL-750-6000	74756	46.3
FOE-150 CL-900-6000	74757	47.9

## FOE-150 Fittings

### 90° Flat Elbow

Compact design Flat Elbow in full composite system.



#### Radius 300 mm

Type Description	FRP	FRP (kg)
FOE-150 FE-90-150-R300	74612	6.9
FOE-150 FE-90-200-R300	71428	7.4
FOE-150 FE-90-300-R300	74613	8.0
FOE-150 FE-90-450-R300	74614	9.8
FOE-150 FE-90-600-R300	74615	11.1
FOE-150 FE-90-750-R300	74616	12.4

#### Radius 600 mm

Type Description	FRP	FRP (kg)
FOE-150 FE-90-150 R600	73112	9.0
FOE-150 FE-90-300 R600	73113	10.2
FOE-150 FE-90-450 R600	73114	11.6
FOE-150 FE-90-600 R600	73115	12.9
FOE-150 FE-90-750 R600	73116	14.5
FOE-150 FE-90-900 R600	73117	17.1

## 45° Flat Elbow

Compact design Flat Elbow in full composite system.



### Radius 300 mm

Type Description	FRP	FRP (kg)
FOE-150 FE-45-150 R300	74630	4.4
FOE-150 FE-45-300 R300	74631	5.0
FOE-150 FE-45-450 R300	74632	5.5
FOE-150 FE-45-600 R300	74633	6.7
FOE-150 FE-45-750 R300	74634	7.5
FOE-150 FE-45-900 R300	74635	8.0

### Radius 600 mm

Type Description	FRP	FRP (kg)
FOE-150 FE-45-150 R600	73130	5.9
FOE-150 FE-45-300 R600	73131	6.2
FOE-150 FE-45-450 R600	73132	7.2
FOE-150 FE-45-600 R600	73133	7.7
FOE-150 FE-45-750 R600	73134	8.5
FOE-150 FE-45-900 R600	73135	9.2

## Tee-Piece

Compact design Tee-Piece Fitting in full composite system.



### Radius 300 mm

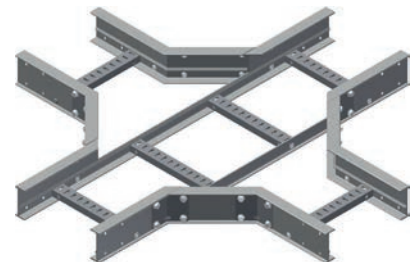
Type Description	FRP	FRP (kg)
FOE-150 TE-150/150 R300	74512	10.1
FOE-150 TE-300/300 R300	74513	10.9
FOE-150 TE-450/450 R300	74514	12.6
FOE-150 TE-600/600 R300	74515	14.3
FOE-150 TE-750/750 R300	74516	16.1
FOE-150 TE-900/900 R300	74517	16.9

### Radius 600 mm

Type Description	FRP	FRP (kg)
FOE-150 TE-150/150 R600	73148	13.3
FOE-150 TE-300/300 R600	73149	14.7
FOE-150 TE-450/450 R600	73150	15.5
FOE-150 TE-600/600 R600	73151	17.0
FOE-150 TE-750/750 R600	73152	20.8
FOE-150 TE-900/900 R600	73153	22.6

## Cross Piece

Compact design Cross-Piece Fitting in full composite system.



### Radius 300 mm

Type Description	FRP	FRP (kg)
FOE-150 CR-150/150 R300	70320	13.9
FOE-150 CR-300/300 R300	70321	14.7
FOE-150 CR-450/450 R300	70322	16.1
FOE-150 CR-600/600 R300	70323	17.3
FOE-150 CR-750/750 R300	70324	18.9
FOE-150 CR-900/900 R300	70325	19.9

### Radius 600 mm

Type Description	FRP	FRP (kg)
FOE-150 CR-150/150 R600	71676	21.2
FOE-150 CR-300/300 R600	71677	22.6
FOE-150 CR-450/450 R600	71678	24.3
FOE-150 CR-600/600 R600	71679	25.9
FOE-150 CR-750/750 R600	71680	28.1
FOE-150 CR-900/900 R600	71681	29.4

## Riser Part

Fixed angle Inside Riser piece. Compact design. Preassembled in composite system.

Type Description	FRP	FRP (kg)
FOE-150 RI-PA-150	74166	1.8
FOE-150 RI-PA-300	74167	1.9
FOE-150 RI-PA-400	74168	2.0
FOE-150 RI-PA-450	74169	2.2
FOE-150 RI-PA-750	74170	2.3
FOE-150 RI-PA-900	74171	2.3



## Inside Fixed Riser 90°. Radius 400 mm

Fixed angle Inside Riser piece. Compact design. Preassembled in composite system.

Type Description	FRP	FRP (kg)
FOE-150 RI-IN-90-150 R400	74272	3.3
FOE-150 RI-IN-90-300 R400	74273	3.4
FOE-150 RI-IN-90-450 R400	74274	3.5
FOE-150 RI-IN-90-600 R400	74275	3.6
FOE-150 RI-IN-90-750 R400	74276	3.7
FOE-150 RI-IN-90-900 R400	74277	3.8

8 Locking Bolt set(s) M10x20 included.



## Inside Fixed Riser 90°. Radius 600 mm

Fixed angle Inside Riser piece. Compact design. Preassembled in composite system.

Type Description	FRP	FRP (kg)
FOE-150 RI-IN-90-150 R600	74278	5.6
FOE-150 RI-IN-90-300 R600	74279	5.8
FOE-150 RI-IN-90-450 R600	74280	6.0
FOE-150 RI-IN-90-600 R600	74281	6.3
FOE-150 RI-IN-90-750 R600	74282	6.5
FOE-150 RI-IN-90-900 R600	74283	6.7

8 Locking Bolt set(s) M10x20 included.



## Inside Fixed Riser 90°. Radius 800 mm

Fixed angle Inside Riser piece. Compact design. Preassembled in composite system.

Type Description	FRP	FRP (kg)
FOE-150 RI-IN-90-150 R800	74284	8.0
FOE-150 RI-IN-90-300 R800	74285	8.3
FOE-150 RI-IN-90-450 R800	74286	8.6
FOE-150 RI-IN-90-600 R800	74287	9.0
FOE-150 RI-IN-90-750 R800	74288	9.3
FOE-150 RI-IN-90-900 R800	74289	9.5

8 Locking Bolt set(s) M10x20 included.





## Outside Fixed Riser 90°. Radius 400 mm

Fixed angle Outside Riser piece. Compact design. Preassembled in composite system.

Type Description	FRP	FRP (kg)
FOE-150 RI-OU-90-150 R400	74290	3.3
FOE-150 RI-OU-90-300 R400	74291	3.4
FOE-150 RI-OU-90-450 R400	74292	3.5
FOE-150 RI-OU-90-600 R400	74293	3.6
FOE-150 RI-OU-90-750 R400	74294	3.7
FOE-150 RI-OU-90-900 R400	74295	3.8

8 Locking Bolt set(s) M10x20 included.



## Outside Fixed Riser 90°. Radius 600 mm

Fixed angle Outside Riser piece. Compact design. Preassembled in composite system.

Type Description	FRP	FRP (kg)
FOE-150 RI-OU-90-150 R600	74296	5.6
FOE-150 RI-OU-90-300 R600	74297	5.8
FOE-150 RI-OU-90-450 R600	74298	6.0
FOE-150 RI-OU-90-600 R600	74299	6.3
FOE-150 RI-OU-90-750 R600	74300	6.5
FOE-150 RI-OU-90-900 R600	74301	6.7

8 Locking Bolt set(s) M10x20 included.



## Outside Fixed Riser 90°. Radius 800 mm

Fixed angle Outside Riser piece. Compact design. Preassembled in composite system.

Type Description	FRP	FRP (kg)
FOE-150 RI-OU-90-150 R800	74302	8.0
FOE-150 RI-OU-90-300 R800	74303	7.7
FOE-150 RI-OU-90-450 R800	74304	8.6
FOE-150 RI-OU-90-600 R800	74305	9.0
FOE-150 RI-OU-90-750 R800	74306	9.2
FOE-150 RI-OU-90-900 R800	74307	9.5

8 Locking Bolt set(s) M10x20 included.

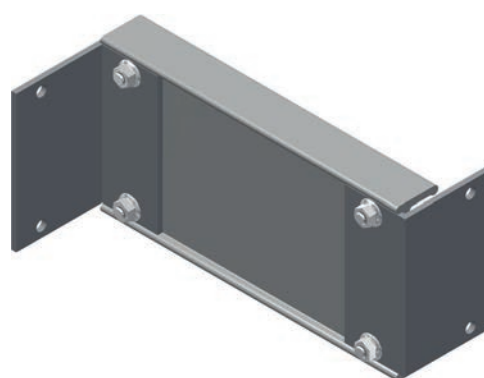


## Reducer Part

Part for increasing or reducing Cable Ladder width in set increments. Universal design which can be used for left or right side independantly, or both sides together.

Type Description	FRP	FRP (kg)
FOE-150 RP-150	70280	-
FOE-150 RP-300	70281	1.5
FOE-150 RP-450	70282	1.9
FOE-150 RP-600	70283	-
FOE-150 RP-750	70284	-

4 Locking Bolt set(s) M10x20 included.



## Reducer Right

Part for reducing Cable Ladder width in set increments from one side.

Type Description	FRP	FRP (kg)
FOE-150 RE-R-300/150	70382	5.9
FOE-150 RE-R-450/150	70383	7.1
FOE-150 RE-R-600/150	70384	8.7
FOE-150 RE-R-450/300	70385	6.2
FOE-150 RE-R-600/300	70386	7.4
FOE-150 RE-R-750/300	70387	9.1
FOE-150 RE-R-900/300	71452	10.3
FOE-150 RE-R-600/450	70388	6.5
FOE-150 RE-R-750/450	70389	7.7
FOE-150 RE-R-900/450	70390	9.5
FOE-150 RE-R-750/600	70391	6.9
FOE-150 RE-R-900/600	70392	8.1



## Reducer Left

Part for reducing Cable Ladder width in set increments from one side.

Type Description	FRP	FRP (kg)
FOE-150 RE-L-300/150	70360	5.7
FOE-150 RE-L-450/150	70361	7.1
FOE-150 RE-L-600/150	70362	8.7
FOE-150 RE-L-450/300	70363	6.2
FOE-150 RE-L-600/300	70364	7.4
FOE-150 RE-L-750/300	70365	9.1
FOE-150 RE-L-900/300	71451	10.4
FOE-150 RE-L-600/450	70366	6.5
FOE-150 RE-L-750/450	70367	7.7
FOE-150 RE-L-900/450	70368	9.5
FOE-150 RE-L-750/600	70369	6.9
FOE-150 RE-L-900/600	70370	8.1



## Reducer Central

Part for reducing Cable Ladder width equally from both sides in set increments.

Type Description	FRP	FRP (kg)
FOE-150 RE-300/150	70338	5.7
FOE-150 RE-450/150	70339	6.8
FOE-150 RE-600/150	70340	7.6
FOE-150 RE-450/300	70341	5.9
FOE-150 RE-600/300	70342	7.2
FOE-150 RE-750/300	70343	8.0
FOE-150 RE-900/300	71450	8.7
FOE-150 RE-600/450	70344	6.1
FOE-150 RE-750/450	70345	7.5
FOE-150 RE-900/450	70346	8.2
FOE-150 RE-750/600	70347	6.4
FOE-150 RE-900/600	70348	7.8



# FOE-150 Fixings

## Splice Connector

Splice Connector for connecting Cable Ladders and Fittings.

Type Description	Fasteners included	FRP	FRP (kg)
FOE-150 SC	4xM10	75045	0.5



## Splice Angle Horizontal/Expansion Couple

Horizontal 90° Splice for FOE Cable Ladders.

Type Description	Fasteners included	FRP	FRP (kg)
FOE-150 SA-HO	4xM10	70401	0.4



## Hinge Vertical

Vertical Hinge for FOE Cable Ladders.

Type Description	Fasteners included	FRP	FRP (kg)
FOE-150 SV-HD	4xM10	75037	0.8



## Splice Angle Plate 22.5°

Vertical Splice Plates for quickly and accurate construction of Risers at various angles.

Type Description	Fasteners included	FRP	FRP (kg)
FOE-150 SA-VE-22.5	4xM10	70414	0.3



## Splice Angle Plate 30°

Vertical Splice Plates for quickly and accurate construction of risers at various angles.

Type Description	Fasteners included	FRP	FRP (kg)
FOE-150 SA-VE-30	4xM10	70411	0.4



## Splice Angle Plate 45°

Vertical Splice Plates for quickly and accurate construction of Risers at various angles.

Type Description	Fasteners included	FRP	FRP (kg)
FOE-150 SA-VE-45	4xM10	70408	0.4

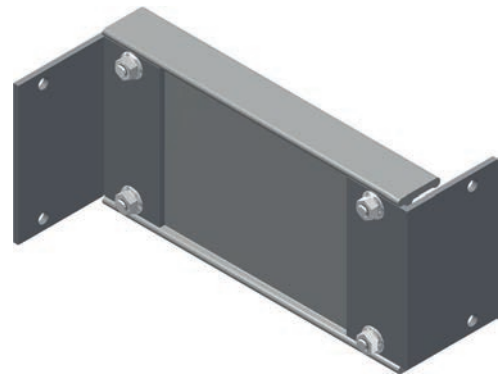


## Reducer Part

Part for increasing or reducing Cable Ladder width in set increments. Universal design which can be used for left or right side independently, or both sides together.

Type Description	FRP	FRP (kg)
FOE-150 RP-150	70280	-
FOE-150 RP-300	70281	1.5
FOE-150 RP-450	70282	1.9
FOE-150 RP-600	70283	-
FOE-150 RP-750	70284	-

4 Locking Bolt set(s) M10x20 included.



## End Cover

End Cover to close the end of the Cable Ladder. Provides a tidy finish.

Type Description	FRP	FRP (kg)
FOE-150 EC-150	74707	0.2
FOE-150 EC-300	74708	0.3
FOE-150 EC-450	74709	0.5
FOE-150 EC-600	74710	0.7
FOE-150 EC-750	74711	0.8
FOE-150 EC-900	74712	1.0

2 M8x13 Self Tapping Screw(s) included.



## Divider

Divider for separation and segregation of different systems.

Type Description	Fasteners included	FRP	FRP (kg)
FOE-150 DI	4xM6	74542	2.4



## FOE Accessories

### Smart Jig

With this jig you can pre-drill holes in exact positions when cutting ladder lengths on site. After modifications use Oglænd System Sealing Kit to preserve the product quality

Type Description	SS	SS (kg)
FOE-DJ70/100/150	74398	0.4

